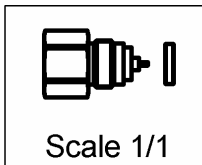
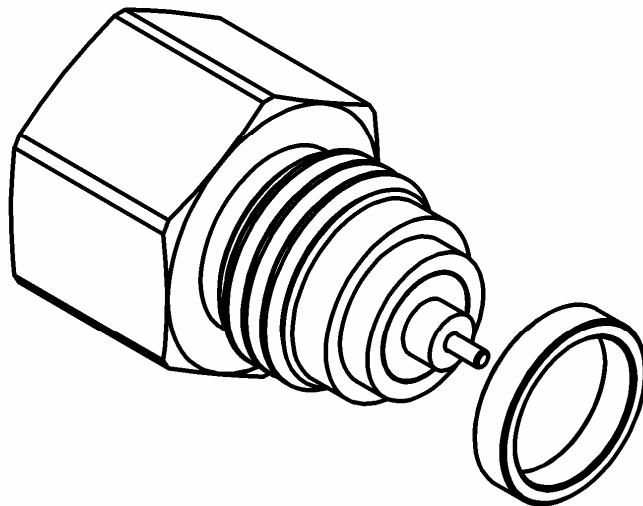
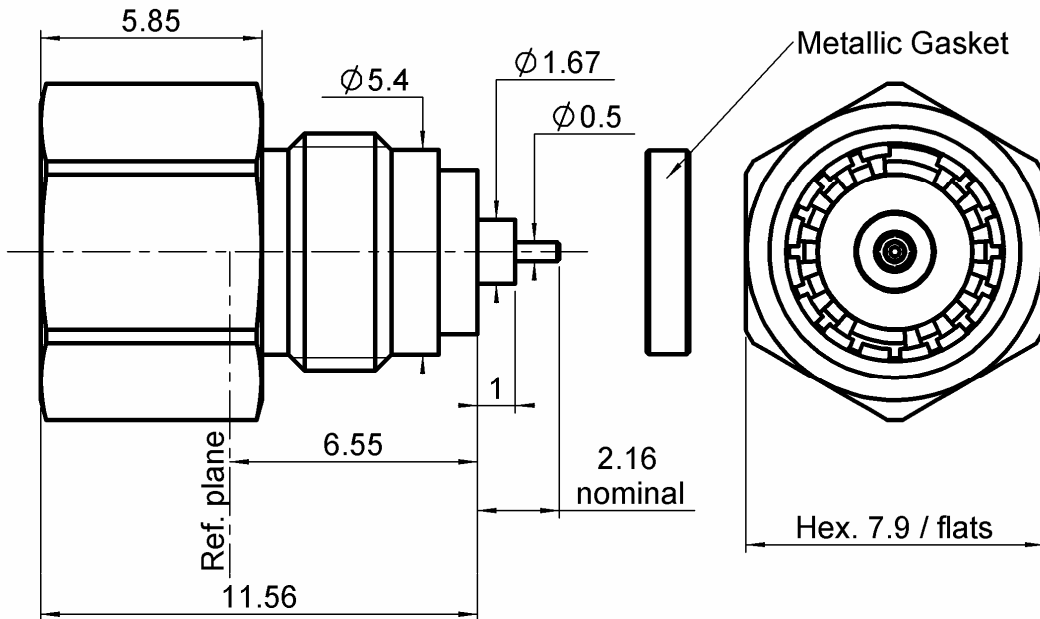


SCREW ON FEMALE RECEPTACLE

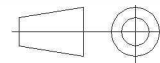
R128.609.701

HERMETIC

Series : **BMA**



All dimensions are in mm.



COMPONENTS	MATERIALS	PLATING (µm)
BODY	STAINLESS STEEL	PASSIVATION
CENTER CONTACT	BERYLLIUM COPPER	GOLD 1.3 OVER NICKEL2
OUTER CONTACT	BERYLLIUM COPPER	NPGR
INSULATOR	PTFE+GLASS BEAD	
GASKET	-	
OTHERS PARTS	DILVER P1	GOLD 1.3 OVER NICKEL 2
-	-	-
-	-	-

Issue : 0941 B

In the effort to improve our products, we reserve the right to make changes judged to be necessary.



SCREW ON FEMALE RECEPTACLE

R128.609.701

HERMETIC

Series : **BMA**

PACKAGING

SPECIFICATION

Standard	Unit	Other
100	'W' option	Contact us

ELECTRICAL CHARACTERISTICS

ENVIRONMENTAL

Impedance	50	Ω
Frequency	0-22	GHz
VSWR	1.25* + 0,0000	x F(GHz) Maxi
Insertion loss	0.07	\sqrt{F} (GHz) dB Maxi
RF leakage	- (80)	- F(GHz)) dB Maxi
Voltage rating	500	Veff Maxi
Dielectric withstanding voltage	1500	Veff mini
Insulation resistance	5000	M Ω mini

Operating temperature	-65/+165	$^{\circ}$ C
Hermetic seal	10-6	Atm.cm3/s
Panel leakage	NA	

OTHER CHARACTERISTICS

Assembly instruction

Others :
*0-10 GHz

MECHANICAL CHARACTERISTICS

Center contact retention		
Axial force – Mating end	27	N mini
Axial force – Opposite end	27	N mini
Torque	NA	N.cm mini
Recommended torque		
Mating	NA	N.cm
Panel nut	NA	N.cm
Mating life	1000	Cycles mini
Weight	2,2000	g

Issue : 0941 B

In the effort to improve our products, we reserve the right to make changes judged to be necessary.



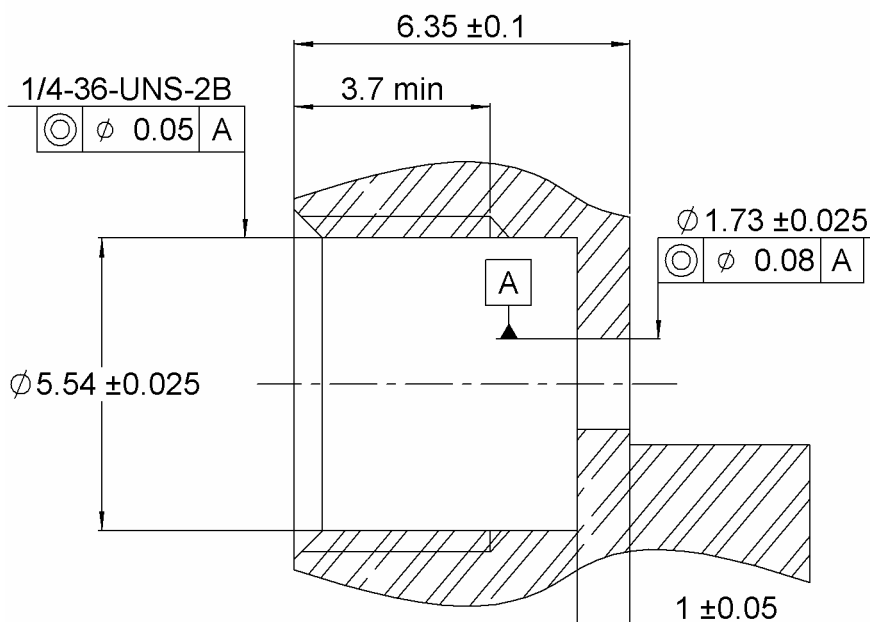
SCREW ON FEMALE RECEPTACLE

R128.609.701

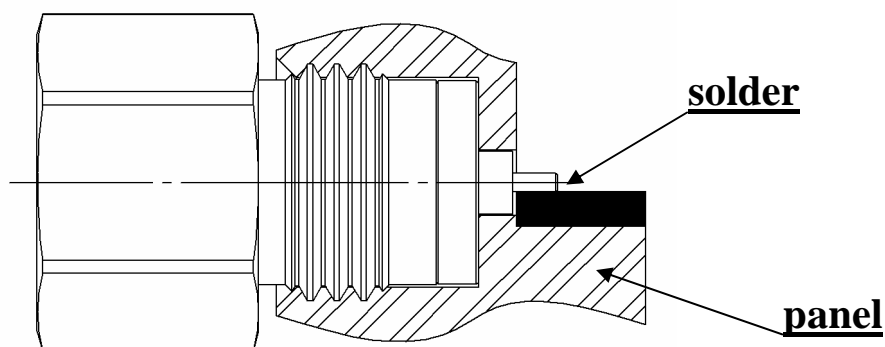
HERMETIC

Series : BMA

PANEL DRILLING



MOUNTING



Assemble metal gasket onto connector. Screw the whole into the housing. Tighten the connector up to 220Ncm+or-10Ncm(use special tooling set RADIALL R282.341.000)Thus the connexion hermeticity is guaranteed at 10-8cc/sec.

Then solder the pin on the track.

Beware there is not too much solder.

Issue : 0941 B

In the effort to improve our products, we reserve the right to make changes judged to be necessary.

